

FIXOTHERM FIX-PLUS

The innovative windowsill system

Building & Construction > Windowsills

Target

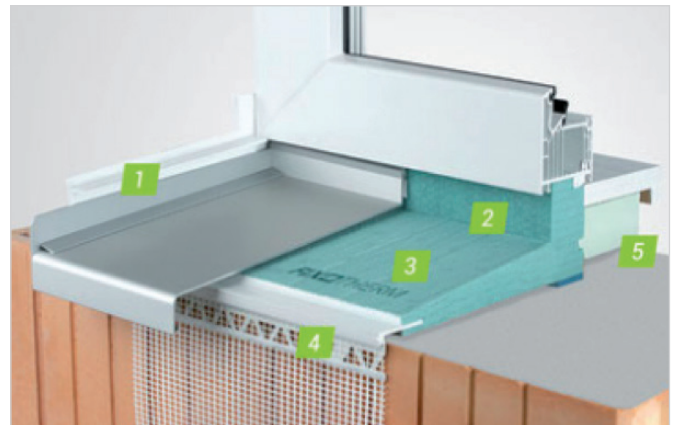
Eliminate damage to buildings caused by leaks in the windowsill

Solution

Windowsill base plates and connections made from Kerdyn™ Green FR PET structural foam

Benefits

A durable, easy to install, watertight solution made from up to 100% recycled PET sourced from used plastic bottles



- 1 Side end plate (optionally with plaster angle)
- 2 Windowsill connection
- 3 Base plate
- 4 Front plaster strip
- 5 FIX-PLUS (optional)

A diagram of the FIXOTHERM FIX-PLUS windowsill

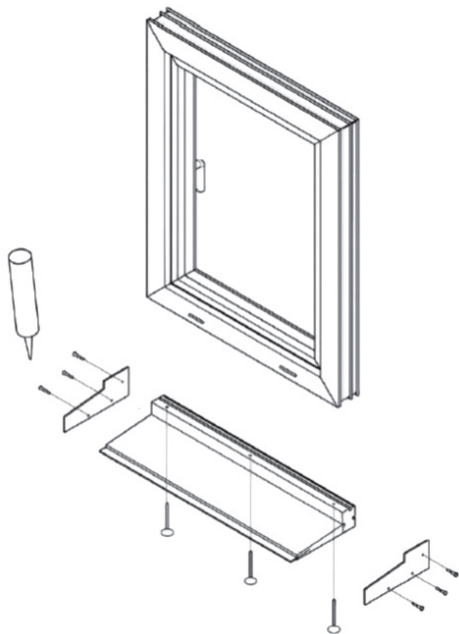
Building damage caused by water ingress around windowsills is a serious and costly issue. It is common in both new and renovated buildings alike and is often caused by voids between windowsills and buildings. Leaks in windowsill connections can result in mold formation and considerable structural damage to the ledge and house wall.

The “FIXOTHERM with FIX-PLUS” system, made with Kerdyn™ Green FR, was developed to resolve this problem. It offers a watertight solution for bridging gaps between windowsills and the surrounding construction.

Gurit's Kerdyn™ Green FR, a structural core material made from up to 100% recycled PET, was chosen by

FIXOTHERM for manufacture of the FIX-PLUS windowsill system. Its durability makes it ideal for this application, as well as other proven properties including:

- Water resistance
- Outstanding stability and sealing
- Good compatibility with a wide range of adhesives
- Excellent screw retention
- Sustainable - made from up to 100% recycled PET
- Recyclable
- Insulation value (0.027 W/mK thermal conductivity)
- High compression strength



Schematic of the FIXOTHERM FIX-PLUS windowsill system

FIXOTHERM convert sheets of Kerdyn™ Green FR PET into windowsill chamfers and sub-profiles in their production facility in Austria and have a network of distributors across Europe. The ready-made windowsill system can quickly and easily be mounted in place by following these steps:

1. Affix the pre-made Kerdyn™ Green FR windowsill connector piece and base plate to the window frame with sealing adhesive
2. Screw the Kerdyn™ profiles in place to secure
3. Apply sealing adhesive to the sides of the base plate, attach the end plates and screw in place to secure

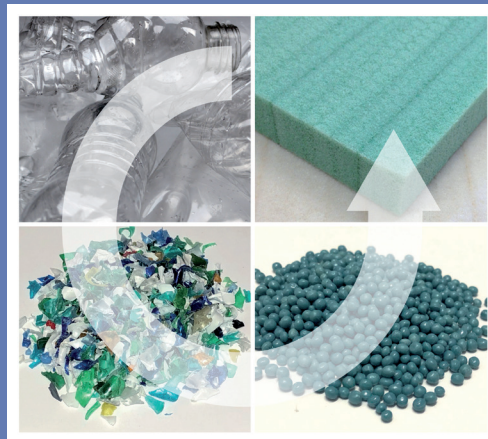
Once complete, the window ledge or covering plate can be attached. View video here: <https://www.youtube.com/watch?v=oTjJzawA2Nk>

FIXOTHERM windowsill system is an easy to mount “PLUG AND PLAY SYSTEM“ and comes as a set. It provides installers with a cost-effective, simple, and reliable solution to eliminate the damage caused by leaking windowsills.

How is Kerdyn™ Green FR made?

- Used plastic bottles are collected and crushed into flakes
- Gurit's in house granulator converts the flakes into pellets
- PET pellets are extruded into blocks of Kerdyn™ Green FR
- Blocks can be cut into sheets and various shapes/ profiles
- Any waste Kerdyn™ Green FR recovered from Gurit's production or customers can be recycled into new blocks

Right: Kerdyn™ Green FR manufacture process from bottle to sheet



“Gurit Kerdyn™ Green is part of a new generation of building materials with lower environmental impact. In addition to the high recycled content sourced from plastic bottles, it has excellent thermal insulation properties, saving our customers money in heating and cooling buildings.”

Dietmar Kargel, FIXOTHERM | <https://www.fixotherm.at>

Contact

Gurit Customer Support

E-mail: uk-customer.support@gurit.com

Gurit Technical Support

E-mail: technical.support@gurit.com

www.gurit.com